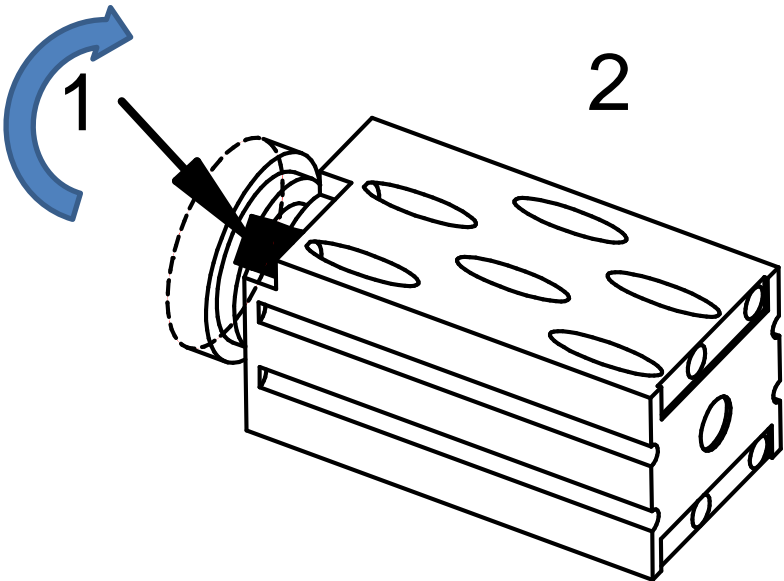


GD5283



Bekabeling/Wiring diagram

