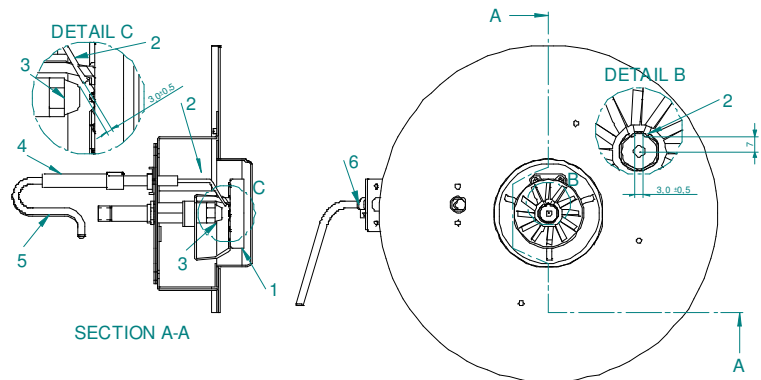
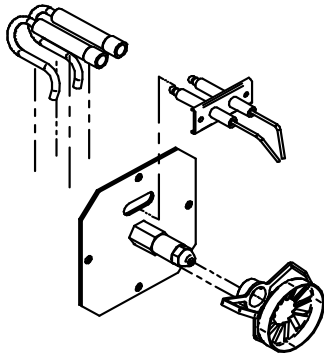


GD200667 Stabalizer DXB



- 1 Vlam stabilisator /Swirl plate
- 2 Ontsteek-elektrode /Ignition electrode
- 3 Nozzle
- 4 Stekker/Plug-in connector
- 5 Ontsteek-kabel/Ignition cable
- 6 Photocell