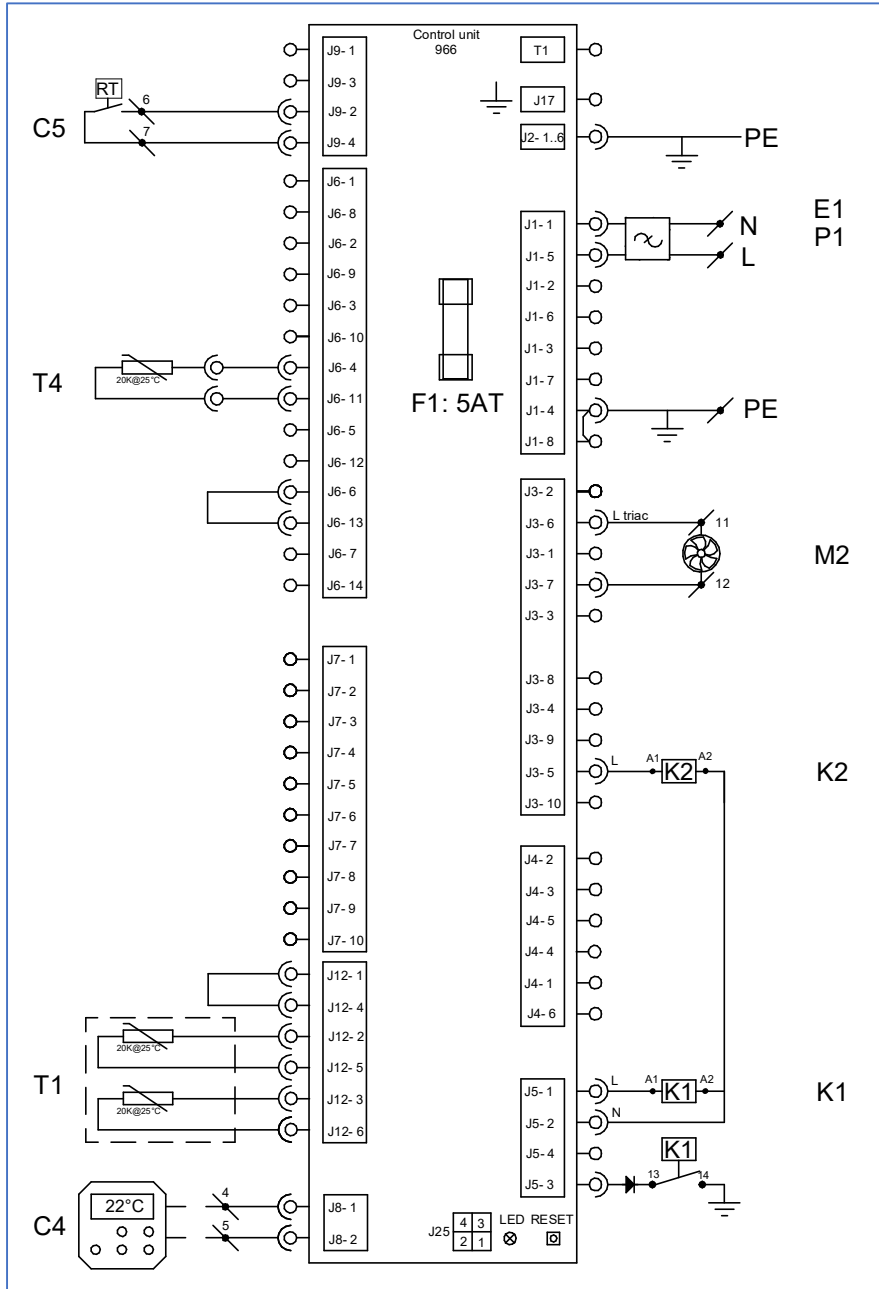


9 Electrical wiring diagram

A complete electrical wiring diagram is shown in figure 11. The connections that are most important to the installation process are shown in figure 12.



Nrt.	Connection type
C4	Modulating thermostat
C5	ON/OFF thermostat
E1	Power line EMI filter
K1	Relay low
K2	Relay high
M2	Modulated system fan (triac)
P1	Power supply 230V
T1	Temperature sensor (heating element)
T4	Temperature sensor (delta-T)

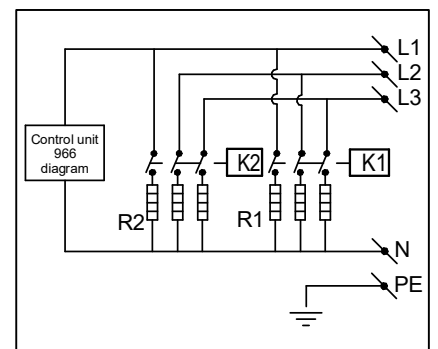


Figure 11 -- Electrical wiring diagram EH

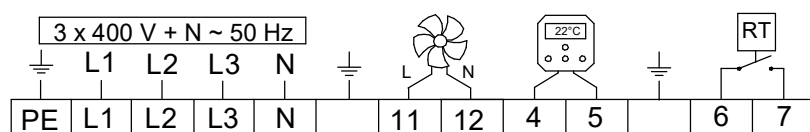


Figure 12 -- Main connections for installation