

12 Exploded view and spare parts

The parts of the air heater are shown in an exploded view in figure 27. The table below describes each part and shows the correct article number for a replacement part.

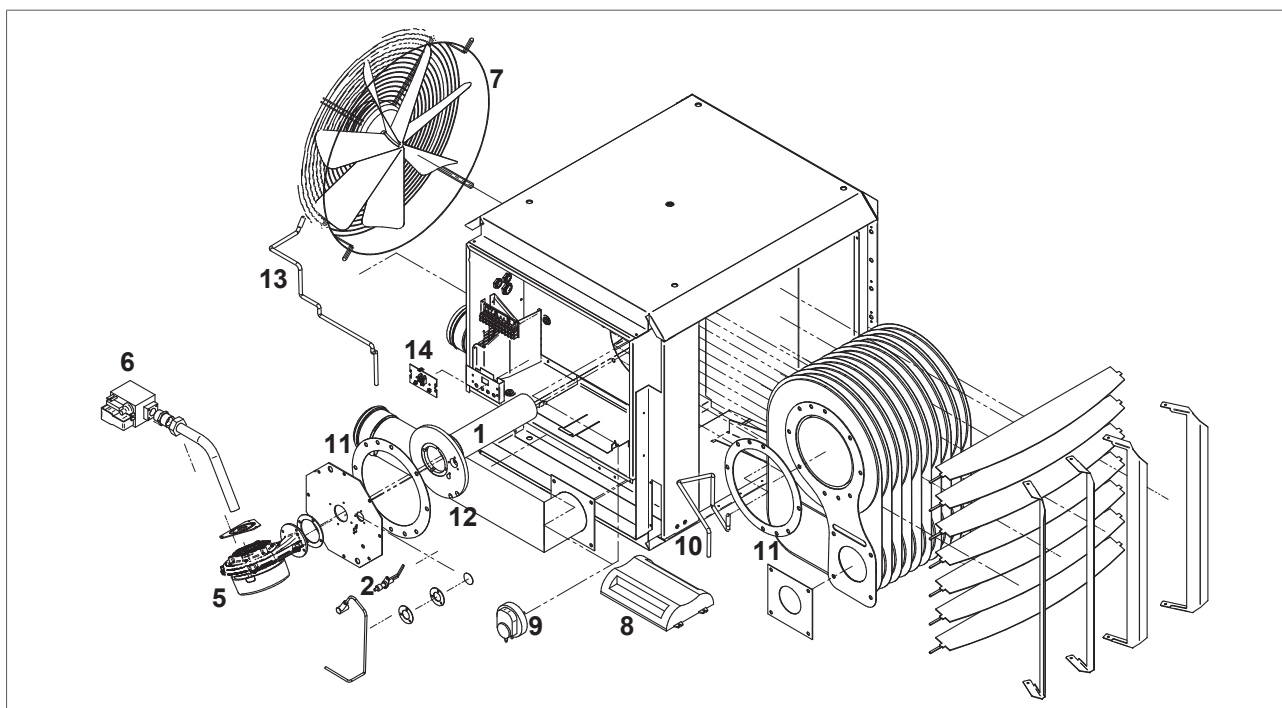


Figure 27 - Exploded view of the XR10 - 60

No.	Description	XR10	XR20	XR30	XR40	XR50	XR60
1	Burner natural gas	GA3206	GA3207	GA3208	GA3208	GA3210	GA3212
1	Burner propane	GA3224	GA3226	GA3228	GA3228	GA3230	GA3232
2	Ignition / ionisation set	GA3460	GA3460	GA3460	GA3460	GA3460	GA3460
5	Burner fan EBM	GY4523	GY4523	GY4523	GY4523	GY4523	GY4523
6	Gas valve SIT SIGMA 848	GA3000	GA3000	GA3000	GA3000	GA3000	GA3000
7	System fan	IX4201	IX4201	IX4201	IH4206	IH4206	IX4207
8	Burner control unit (EBM966)	GY5901	GY5901	GY5901	GY5901	GY5901	GY5901
9	Pressure switch	GX3932	GX3932	GX3932	GX3932	GX3932	GX3932
10	Heat exchange sensor	GY3932	GY3932	GY3932	GY3932	GY3932	GY3932
11	Gasket set	GA6702	GA6702	GA6702	GA6706	GA6706	GA6706
12	Burner isolation	GA6700	GA6700	GA6700	GA6704	GA6704	GA6704
13	Delta-T sensor	GY3931	GY3931	GY3931	GY3931	GY3931	GY3931
14	Display PCB	GY5902	GY5902	GY5902	GY5902	GY5902	GY5902
15	Flue sensor XR (optional)	IX3930	IX3930	IX3930	IX3930	IX3930	IX3930