

12 Exploded view and spare parts

The parts of the air heater are shown in an exploded view in figure 22. The table below describes each part and shows the correct article number for a replacement part.

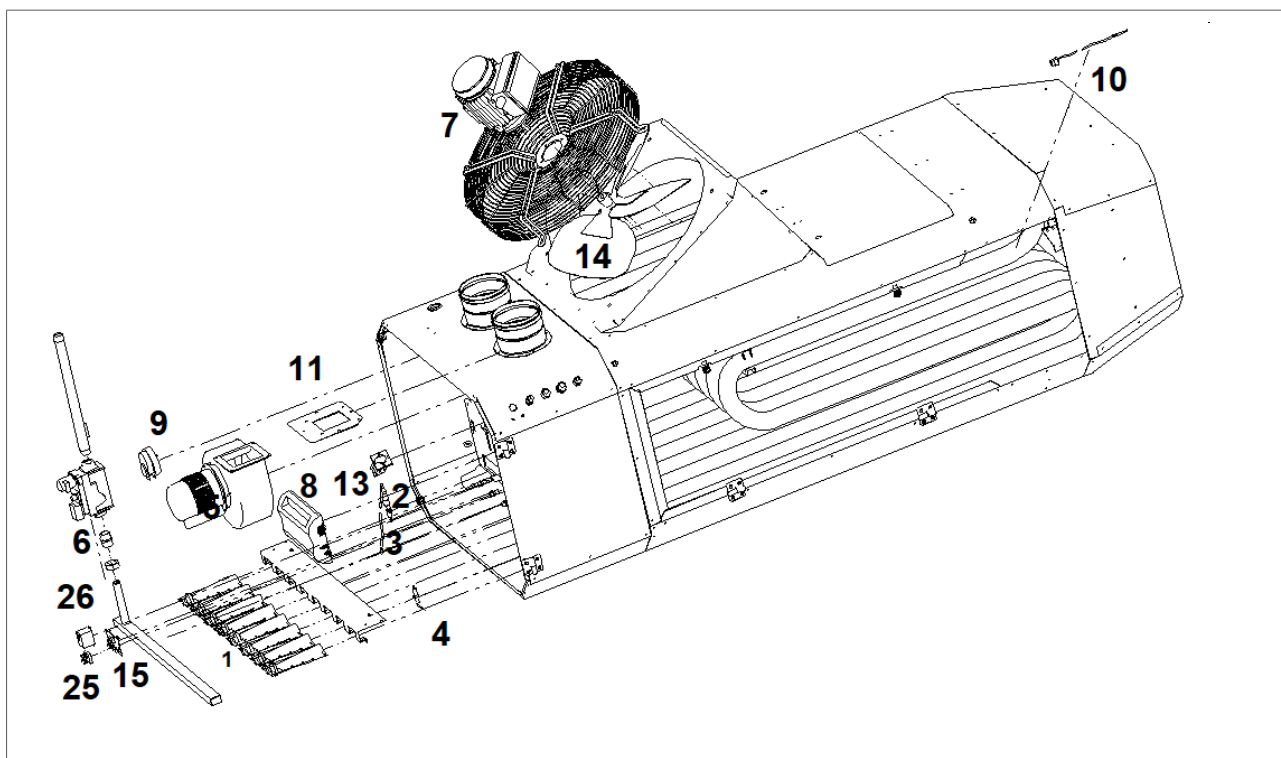


Figure 22 - Exploded view of the DXC60-100

No.	Description	DXC60	DXC80	DXC100
1	Burner	IB3204	IB3204	IB3204
2	Ignition electrode	GA3400	GA3400	GA3400
3	Ignition cable	IB3929	IB3929	IB3929
4	Ionisation electrode	GA3402	GA3402	GA3402
5	Combustion fan	GA4516	GA4516	GA4517
6	Gas valve	GA3314	GA3314	GA3314
7	System fan	IP4811	IP4801	IP4813
8	Burner control unit (EBM966)	GY5901	GY5901	GY5901
9	Pressure switch	IB3904	IB3911	IB3904
10	Heat exchange sensor	GY3935	GY3935	GY3935
11	Gasket set	GA6716	GA6716	GA6716
13	Selection switch	GD5284	GD5284	GD5284
14	Fan blade	IK4212	IK4214	IK4223
15	Display PCB	GY5902	GY5902	GY5902
25	Rectifier block	GY3921	GY3921	GY3921
26	Fan relay	IK5200	IK5200	IK5200