

12 Exploded view and spare parts

The parts of the air heater are shown in an exploded view in figure 19. The table below describes each part and shows the correct article number for a replacement part.

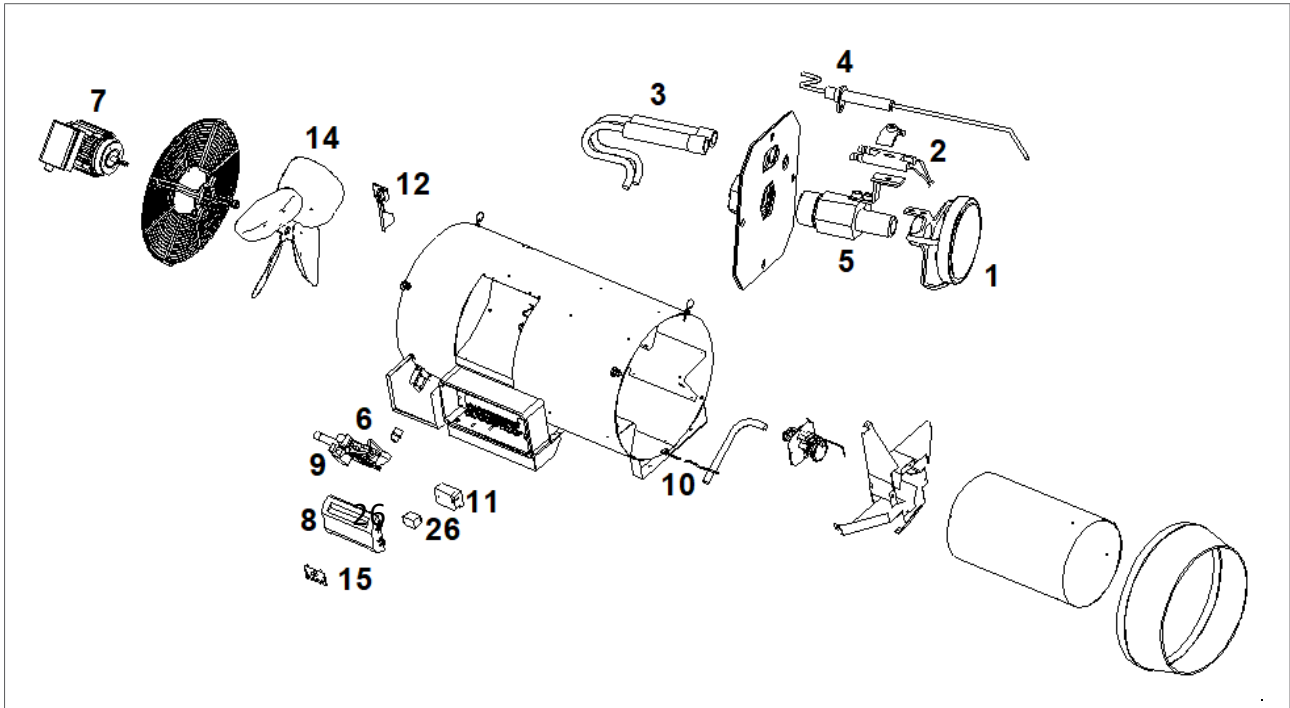


Figure 19 - Exploded view of the DXA

No.	Description	DXA75	DXA100	DXA120
1	Flame stabilizer	GD3412	GD3412	GD3412
2	Ignition electrode	GD200665	GD200665	GD200665
3	Ignition cable	GD3400	GD3400	GD3400
4	Ionisation electrode	GD3391	GD3393	GD3393
5a	Gas injector set Natural gas	GD3434	GD3436	GD3438
5b	Gas injector set Propane gas	GD3424	GD3426	GD3428
6	Gas valve	GD200713	GD200713	GD200713
7	System fan	GD4305	GD4305	GD4305
8	Burner control unit (EBM966)	GY5901	GY5901	GY5901
9	Gas pressure switch	GD3930	GD3930	GD3930
10	Temperature sensor (heat exchanger)	GY3933	GY3933	GY3933
11	Ignition transformer	GD3404	GD3404	GD3404
12	Vane switch	GD3407	GD3407	GD3408
14	Fan blade	IK4217	IK4217	IK4212
15	Display print	GY5902	GY5902	GY5902
26	Fan relay	IK5200	IK5200	IK5200